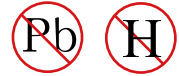




# TVS Array for Protect of Two Lines



## APPLICATIONS

- ◆ Microprocessor based equipment
- ◆ Notebooks, Desktops, and Servers
- ◆ Industrial Controls
- ◆ Instrumentation
- ◆ Peripherals
- ◆ Serial and Parallel Ports

## IEC COMPATIBILITY

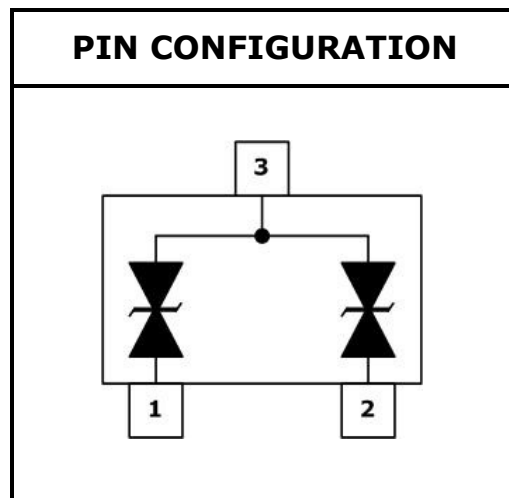
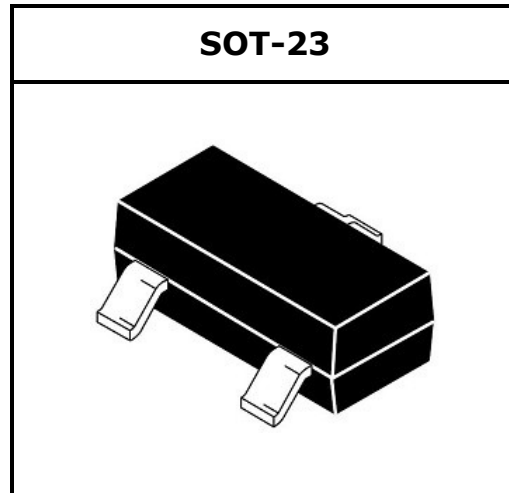
- ◆ IEC61000-4-2 (ESD)  $\pm 15\text{kV}$  (air),  $\pm 8\text{kV}$  (contact)
- ◆ IEC61000-4-4 (EFT) 40A (5/50ns)

## FEATURES

- ◆ 100 Watts Peak Pulse Power per Line ( $t_p=8/20\mu\text{s}$ )
- ◆ Protects two high-Speed lines
- ◆ Low clamping voltage
- ◆ RoHS Compliant

## MECHANICAL CHARACTERISTICS

- ◆ JEDEC SOT-23 Package
- ◆ Molding Compound Flammability Rating : UL 94V-0
- ◆ Weight 8.0 Milligrams (Approximate)
- ◆ Quantity Per Reel : 3,000pcs
- ◆ Reel Size : 7 inch

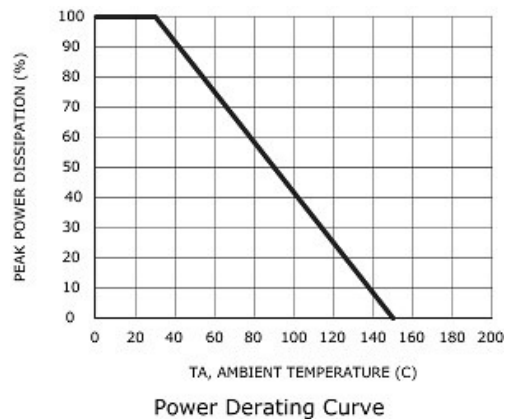
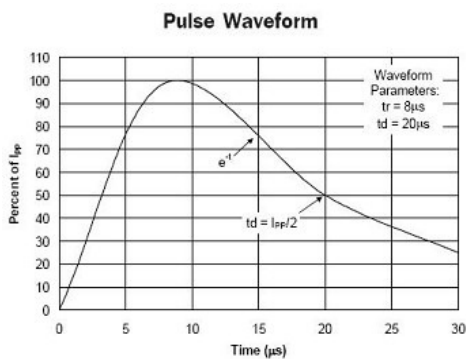
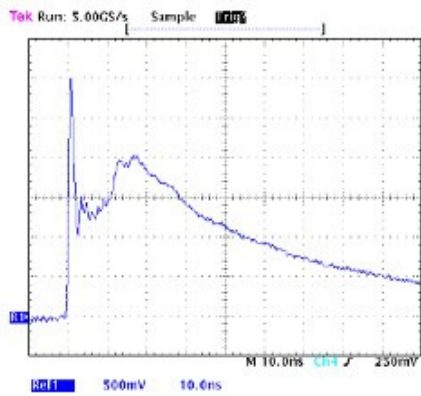


# DEVICE CHARACTERISTICS

## YSDA0502C

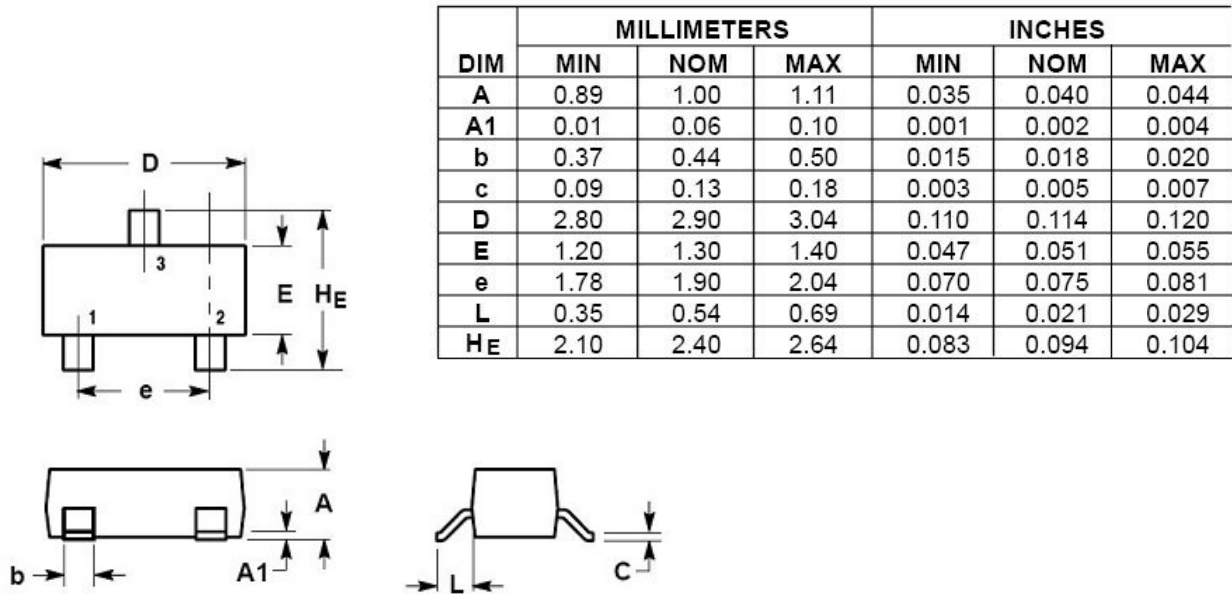
MAXIMUM RATINGS (@ 25°C Unless Otherwise Specified)			
PARAMETER	SYMBOL	VALUE	UNITS
Peak Pulse Power (tp=8/20µs waveform)	P <sub>PP</sub>	100	Watts
Lead Soldering Temperature (10 sec.)	T <sub>L</sub>	260	°C
Operating Temperature Range	T <sub>J</sub>	-55 ~ 150	°C
Storage Temperature Range	T <sub>STG</sub>	-55 ~ 150	°C

ELECTRICAL CHARACTERISTICS PER LINE (@ 25°C Unless Otherwise Specified)									
PART NUMBER	DEVICE MARKING	V <sub>RWM</sub>	V <sub>B</sub>	I <sub>T</sub>	V <sub>C</sub>	V <sub>C</sub>		I <sub>R</sub>	C <sub>T</sub>
		(V) (max.)	(V) (min.)	(mA)	@1A (max.)	(max.)	(@A)	(µA) (max.)	(pF) (typ.)
YSDA0502C	EB5	5	6	1	9.8	17	6	5	30



# PACKAGE OUTLINE & DIMENSIONS

## YSDA0502C



### \* SOLDERING FOOTPRINT

