



DATA SHEET

SEMICONDUCTOR

YSDA0502C



TVS ARRAY FOR PROTECT OF TWO LINES

APPLICATIONS

- ◆ Microprocessor based equipment
- ◆ Notebooks, Desktops, and Servers
- ◆ Industrial Controls
- ◆ Instrumentation
- ◆ Peripherals
- ◆ Serial and Parallel Ports

IEC COMPATIBILITY

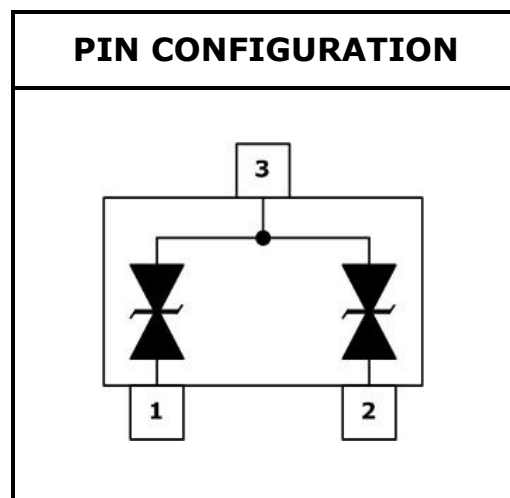
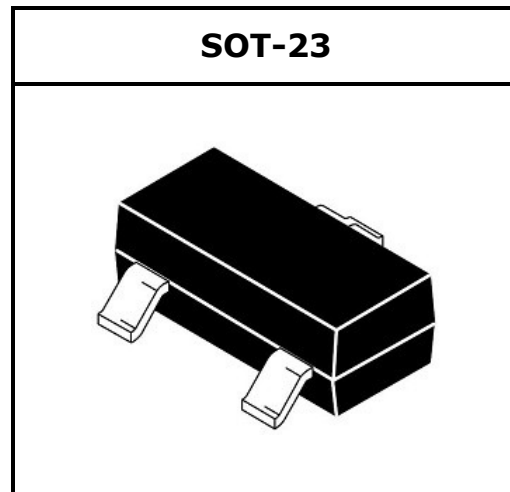
- ◆ IEC61000-4-2 (ESD) $\pm 15\text{kV}$ (air), $\pm 8\text{kV}$ (contact)
- ◆ IEC61000-4-4 (EFT) 40A (5/50 η s)

FEATURES

- ◆ 100 Watts Peak Pulse Power per Line ($t_p=8/20\mu\text{s}$)
- ◆ Protects two high-Speed lines
- ◆ Low clamping voltage
- ◆ RoHS Compliant

MECHANICAL CHARACTERISTICS

- ◆ JEDEC SOT-23 Package
- ◆ Molding Compound Flammability Rating : UL 94V-0
- ◆ Weight 8.0 Milligrams (Approximate)
- ◆ Quantity Per Reel : 3,000pcs
- ◆ Reel Size : 7 inch
- ◆ Lead Finish : Lead Free

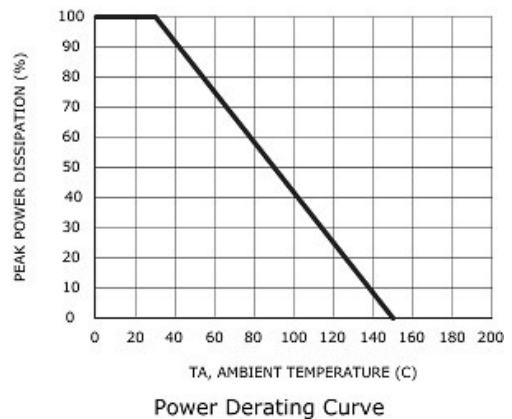
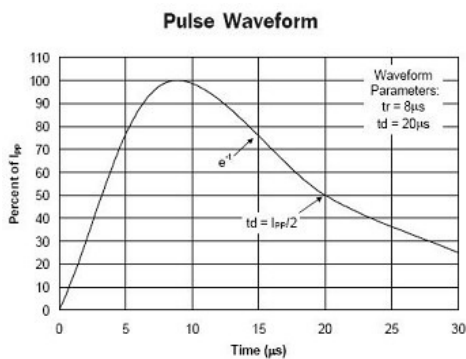
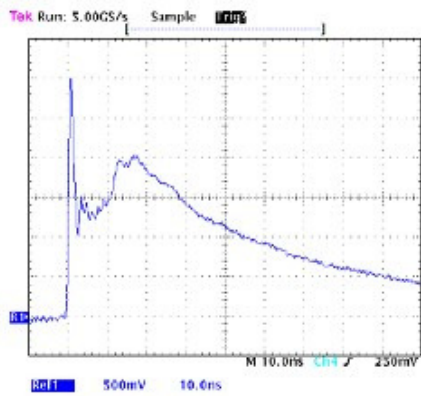


DEVICE CHARACTERISTICS

YSDA0502C

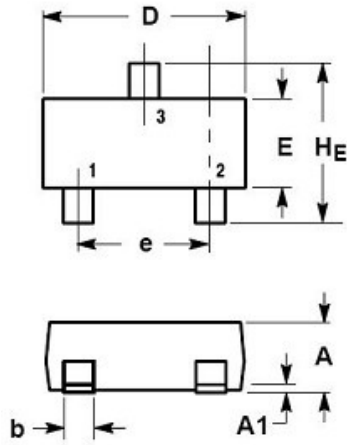
MAXIMUM RATINGS (@ 25°C Unless Otherwise Specified)			
PARAMETER	SYMBOL	VALUE	UNITS
Peak Pulse Power (tp=8/20µs waveform)	P _{PP}	100	Watts
Lead Soldering Temperature	T _L	260 (10 sec.)	°C
Operating Temperature Range	T _J	-55 ~ 150	°C
Storage Temperature Range	T _{STG}	-55 ~ 150	°C

ELECTRICAL CHARACTERISTICS PER LINE (@ 25°C Unless Otherwise Specified)									
PART NUMBER	DEVICE MARKING	V _{RWM}	V _B	I _T	V _C	V _C		I _R	C _T
		(V) (max.)	(V) (min.)	(mA)	@1A (max.)	(max.)	(@A)	(µA) (max.)	(pF) (typ.)
YSDA0502C	EB5	5	6	1	9.8	17	6	5	30



PACKAGE OUTLINE & DIMENSIONS

YSDA0502C



DIM	MILLIMETERS			INCHES		
	MIN	NOM	MAX	MIN	NOM	MAX
A	0.89	1.00	1.11	0.035	0.040	0.044
A1	0.01	0.06	0.10	0.001	0.002	0.004
b	0.37	0.44	0.50	0.015	0.018	0.020
c	0.09	0.13	0.18	0.003	0.005	0.007
D	2.80	2.90	3.04	0.110	0.114	0.120
E	1.20	1.30	1.40	0.047	0.051	0.055
e	1.78	1.90	2.04	0.070	0.075	0.081
L	0.35	0.54	0.69	0.014	0.021	0.029
HE	2.10	2.40	2.64	0.083	0.094	0.104

* SOLDERING FOOTPRINT

