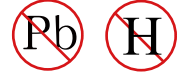




YEA SHIN TECHNOLOGY CO., LTD MBR1040FCT THRU MBR10200FCT
10A SCHOTTKY Barrier Rectifier
Voltage - 40 to 200 Volts Current – 10Amperes

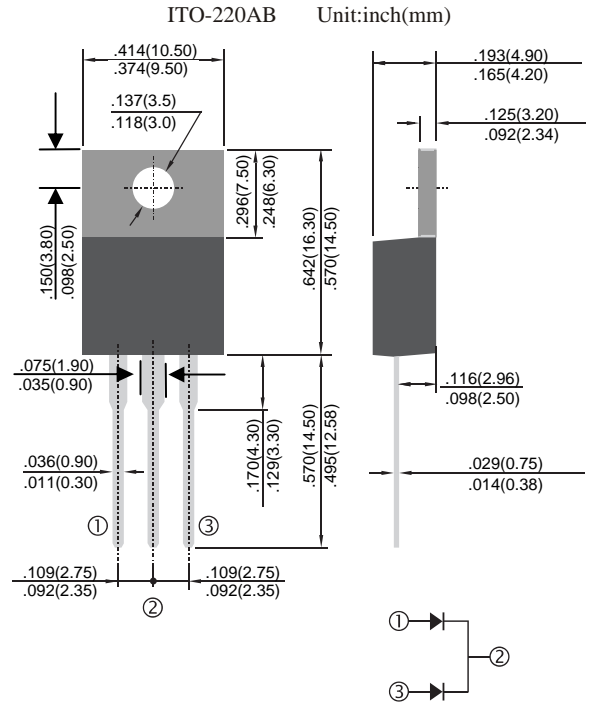


Features

- Plastic package has Underwriters Laboratory Flammability Classification 94V-0. Flame Retardant Epoxy Molding Compound.
- Metal silicon junction, majority carrier conduction
- Low power loss, high efficiency.
- High current capability
- For use in low voltage, high frequency inverters free wheeling, and polarity protection applications.
- Lead free in comply with EU RoHS.

Mechanical Data

- Case: ITO-220AB molded plastic
- Terminals: solder plated, solderable per MIL-STD-750, Method 2026
- Polarity: As marked.
- Mounting Position: Any



Maximum Ratings & Thermal Characteristics (Ratings at 25°C ambient temperature unless otherwise specified.)
 (Single Phase, half wave, 60Hz, resistive or inductive load. For capacitive load, derate by 20%.)

Parameters	Symbol	MBR 1040FCT	MBR 1045FCT	MBR 1050FCT	MBR 1060FCT	MBR 1080FCT	MBR 1090FCT	MBR 10100FCT	MBR 10150FCT	MBR 10200FCT	Unit	
Maximum Repetitive Peak Reverse Voltage	V_{RRM}	40	45	50	60	80	90	100	150	200	V	
Maximum RMS Voltage	V_{RMS}	28	31.5	35	42	56	63	70	105	140	V	
Maximum DC Blocking Voltage	V_{DC}	40	45	50	60	80	90	100	150	200	V	
Maximum Average Forward Rectified Current	$I_{(AV)}$	10									A	
Peak Forward Surge Current 8.3ms single half sine-wave superimposed on rated load (JEDEC method)	I_{FSM}	100				110					A	
Maximum Instantaneous Forward Voltage at 5.0A Per Diode	V_F	0.6		0.75		0.85			0.92		V	
Maximum DC Reverse Current $T_a=25^\circ\text{C}$ at Rated DC Blocking Voltage $T_a=125^\circ\text{C}$	I_R	0.05			20		0.02			20		mA
Typical Junction Capacitance (Note 1)	C_J	420		360		280			200		pF	
Maximum Thermal Resistance	$R_{\theta JC}$	3									$^\circ\text{C/W}$	
Operating Temperature Range	T_J	-55 to +150						-55 to +175			$^\circ\text{C}$	
Storage Temperature Range	T_{STG}	-55 to +150						-55 to +175			$^\circ\text{C}$	

Notes: 1. Measure at 1.0MHz and applied reverse voltage of 4.0 Vdc.

DEVICE CHARACTERISTICS

MBR1040FCT THRU MBR10200FCT

