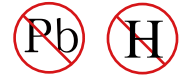


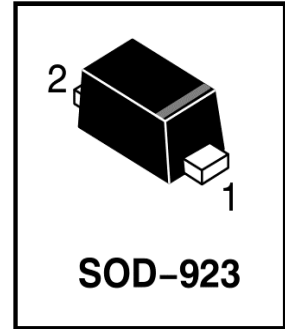


Switching Diode



FEATURES

- We declare that the material of product compliance with RoHS requirements and Halogen Free.
- Extremely small surface mounting type.
- High Speed.
- High reliability.



DEVICE MARKING AND ORDERING INFORMATION

Device	Marking	Shipping
1SS400CS	3	8000/Tape&Reel



MAXIMUM RATINGS(Ta = 25 °C)

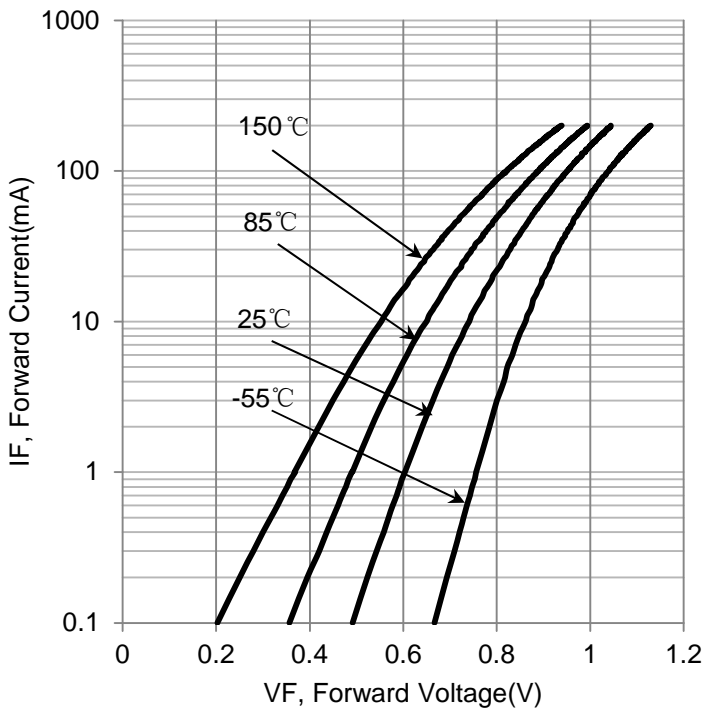
Parameter	Symbol	Limits	Unit
Peak reverse voltage	VRM	90	V
DC reverse voltage	VR	80	V
Peak forward current	IFM	225	mA
Mean rectifying current	IO	100	mA
Surge current (1s)	Isurge	500	mA
Junction temperature	Tj	125	°C
Storage temperature	Tstg	-55~+125	°C

ELECTRICAL CHARACTERISTICS

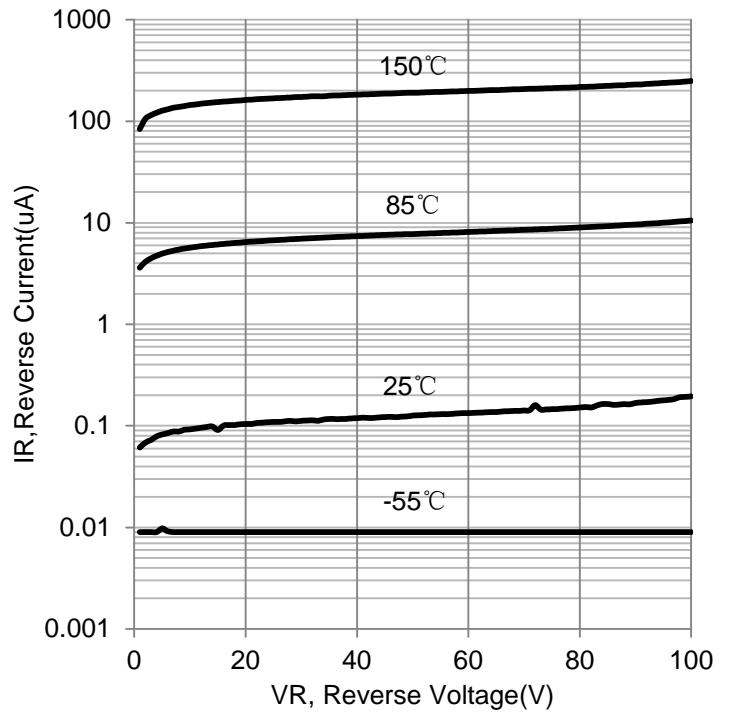
Characteristic	Symbol	Min.	Typ.	Max.	Unit
Forward voltage (IF =100mA)	VF	-	-	1.2	V
Reverse current (VR =80V)	IR	-	-	0.1	µA
Capacitance between terminals (VR =0.5V , f=1MHz)	CT	-	0.72	3	pF
Reverse recovery time (VR =6V , IF =10mA , RL =100Ω)	trr	-	-	4	nS

DEVICE CHARACTERISTICS

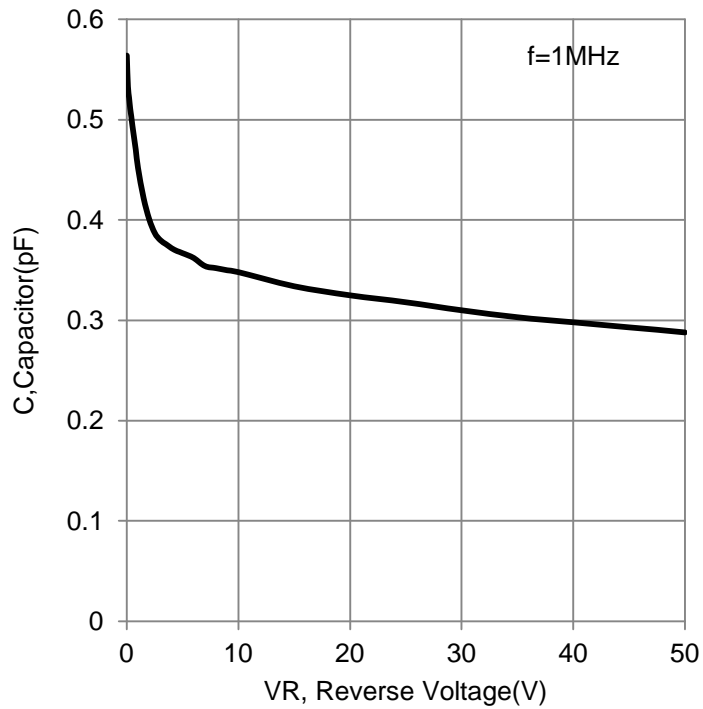
1SS400CS



Forward Characteristics



Reverse Characteristics

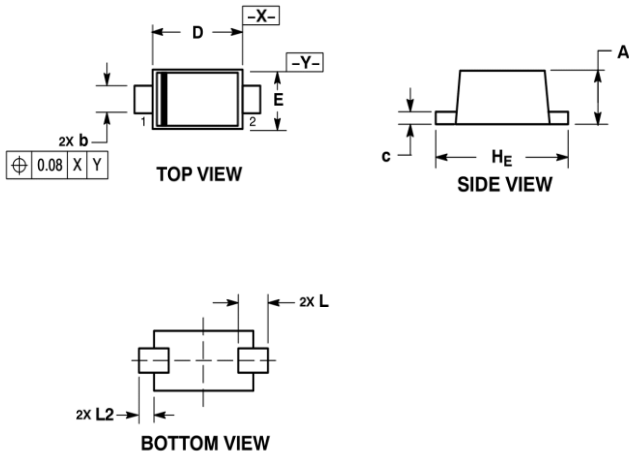


Capacitor Characteristics

PACKAGE OUTLINE & DIMENSIONS

1SS400CS

OUTLINE AND DIMENSIONS



DIM	MILLIMETERS			INCHES		
	MIN	NOM	MAX	MIN	NOM	MAX
A	0.34	0.37	0.40	0.013	0.015	0.016
b	0.15	0.20	0.25	0.006	0.008	0.010
c	0.07	0.12	0.17	0.003	0.005	0.007
D	0.75	0.80	0.85	0.030	0.031	0.033
E	0.55	0.60	0.65	0.022	0.024	0.026
H _E	0.95	1.00	1.05	0.037	0.039	0.041
L	0.19REF			0.007REF		
L ₂	0.05	0.10	0.15	0.002	0.004	0.006

SUGGESTED PAD LAYOUT

